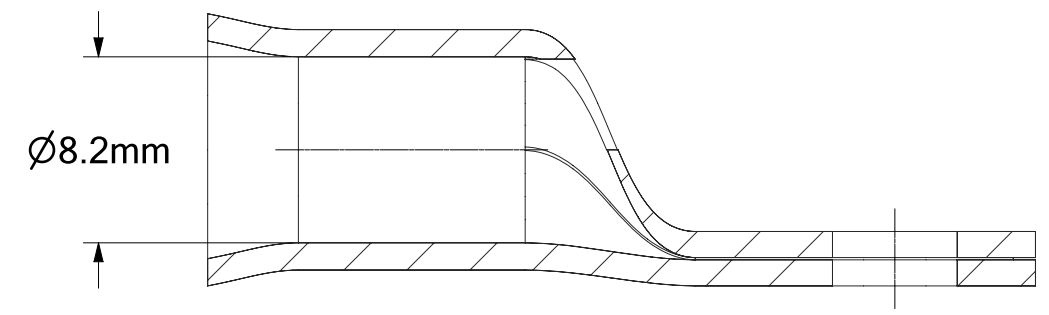
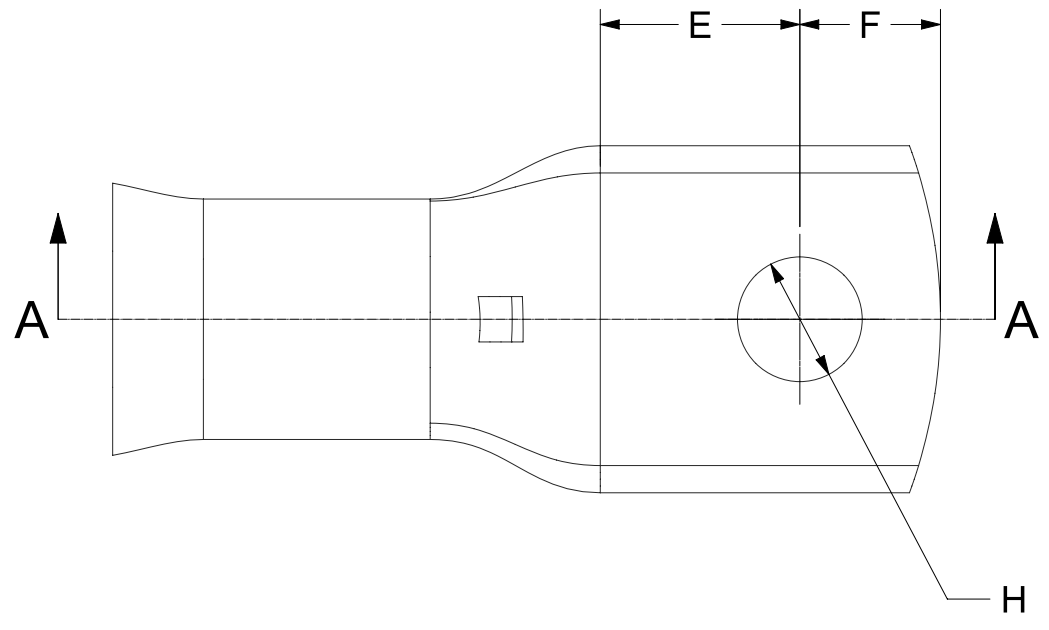
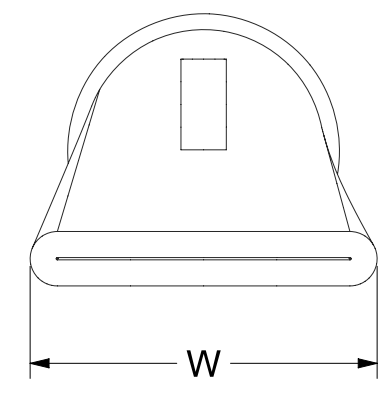


| REVISION HISTORY | |
|------------------|---------------|
| 1 | Original Part |
| 2 | Table update |



SECTION A-A



| PART NO. | H (mm) | E (mm) | F (mm) | W (mm) |
|------------|--------|--------|--------|--------|
| TCSD-35-0 | 0 | N/A | 22.0 | 16.0 |
| TCSD-35-5 | 5.5 | 8.8 | 6.2 | 15.3 |
| TCSD-35-6 | 6.5 | 8.8 | 6.2 | 15.3 |
| TCSD-35-8 | 8.5 | 8.0 | 7.0 | 15.3 |
| TCSD-35-10 | 10.5 | 10.9 | 9.6 | 16.0 |
| TCSD-35-12 | 12.8 | 10.5 | 10.0 | 18.0 |
| TCSD-35-14 | 14.5 | 13.0 | 13.0 | 19.0 |
| TCSD-35-16 | 16.5 | 13.0 | 13.0 | 21.0 |

UOS - LINEAR TOLERANCE PERMISSABLE DEVIATIONS FOR SIZE RANGE:
Tolerances according to DIN ISO 2768 (V)

| DIMS IN MM | 0.5 to 3 | >3 to 6 | >6 to 30 | >30 to 120 | >120 to 400 | >400 to 1000 | >1000 to 2000 | >2000 to 4000 |
|------------|----------|---------|----------|------------|-------------|--------------|---------------|---------------|
| | - | ±0.5 | ±1.0 | ±1.5 | ±2.5 | ±4.0 | ±6.0 | ±8.0 |

TOTAL CONNECTIONS 2009
 Total Connections 2009 LTD
www.tc2009.co.uk
sales@tc2009.co.uk
 Tel 01249 812 707

Drawing No. TCDR1922 Material. CW024A (C106) COPPER
 Part No. TCSD-35-RANGE Finish. 5MICRON ELECTRO TIN PLATED

| | | | |
|------------|--------------------|----------------------------|----------|
| SIZE A3 | Date 22/10/2021 | Created By: Dan Hewlett | REV 2 |
|------------|--------------------|----------------------------|----------|

SCALE 3:1 SHEET 1 of 1